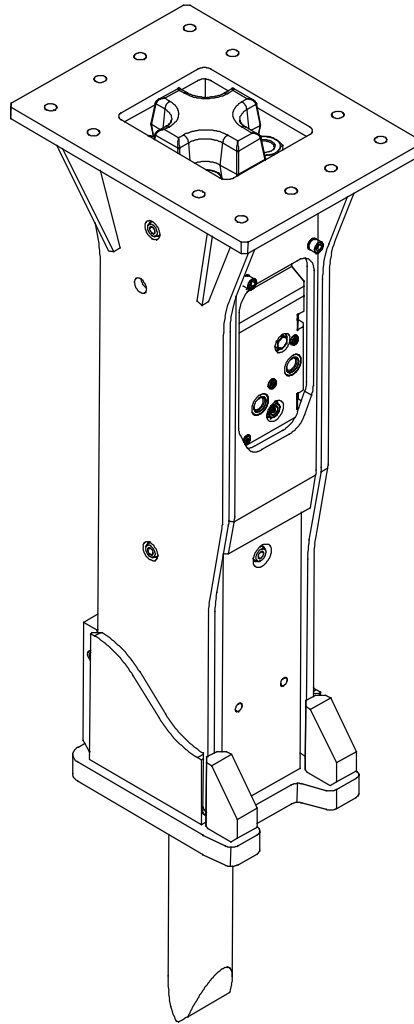


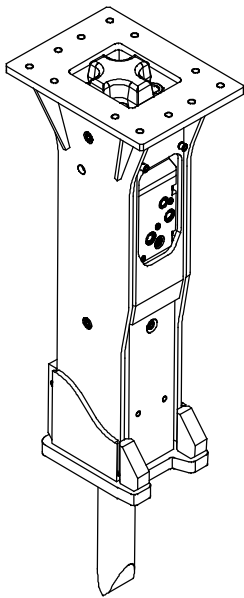
EN Spare parts manual



XL 1700

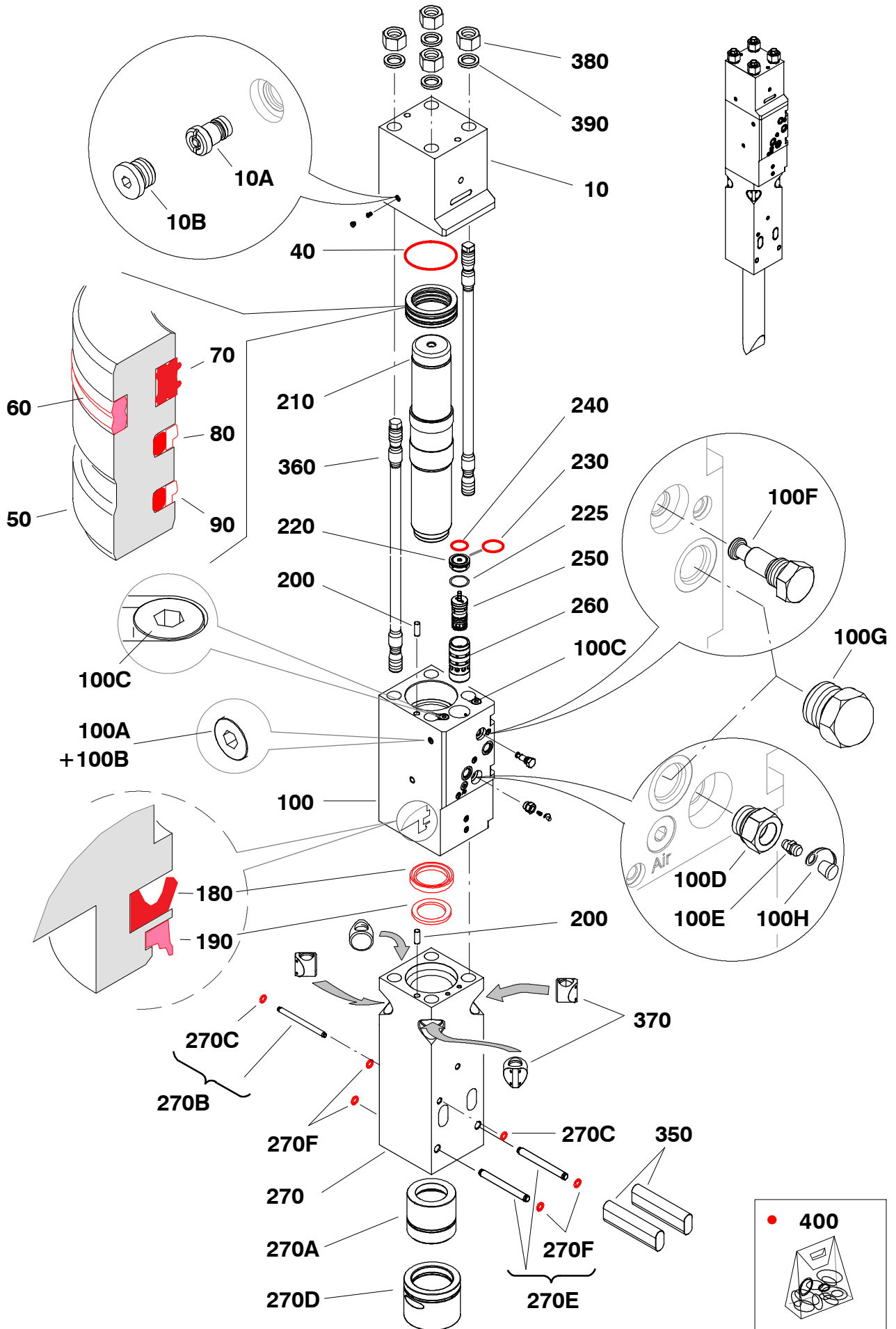


BREAKER



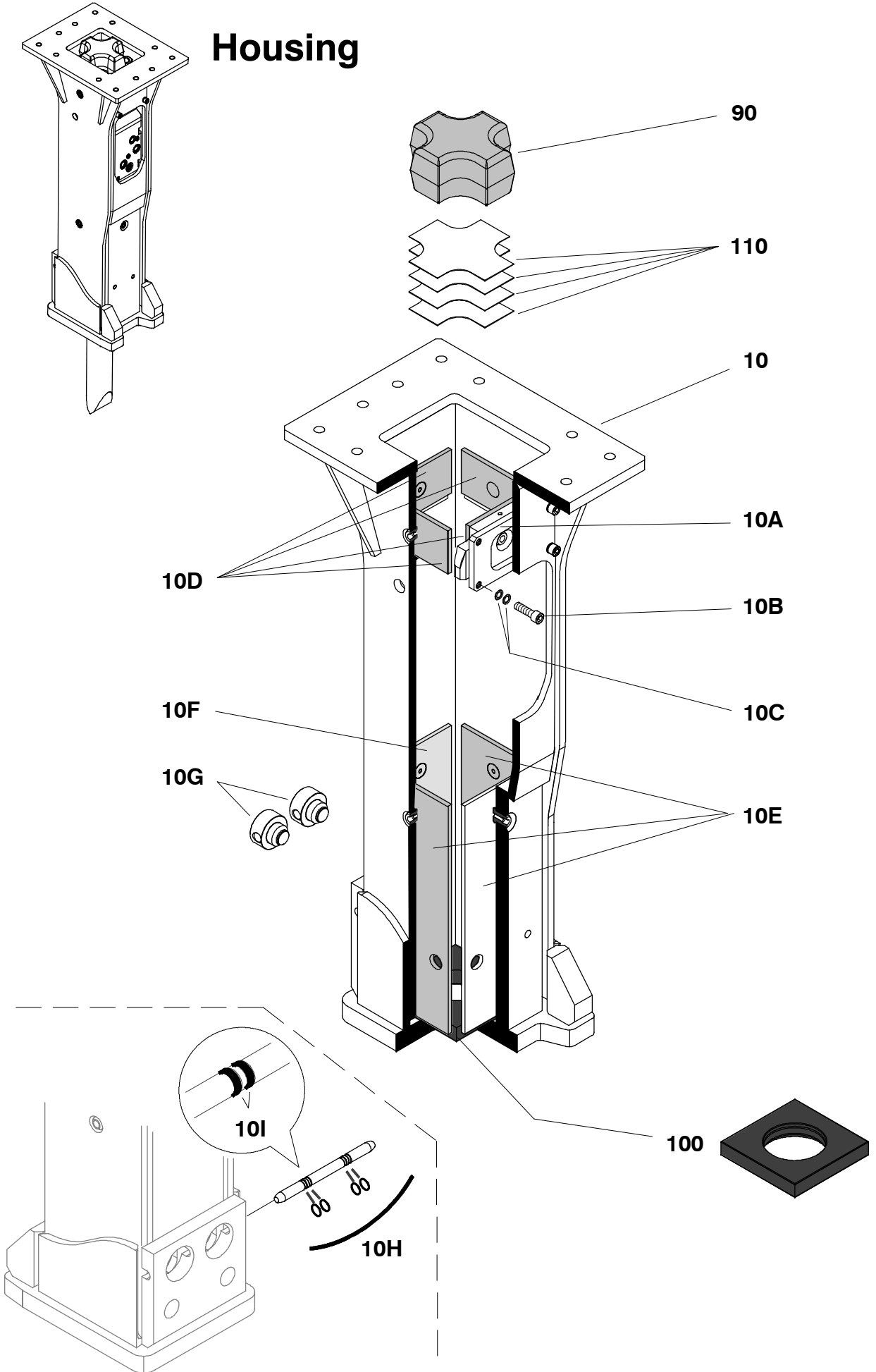
Housing

Power cell for Housing



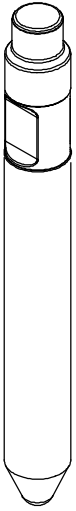
Item	Qty	CPN	Description
10	1	86701869	Back head includ. :
10A	1	86600632	(Valve
10B	1	86693538	(Threaded plug
• 40	1	86694171	O'ring
50	1	86731510	Seals casing
• 60	1	86690963	Seal
• 70	1	86690971	Seal
• 80	1	86657582	Seal
• 90	1	86696408	Seal
100	1	86743192	Cylinder includ. :
100A	12	86678612	(Glued threaded plug 1/4
100B	12	86240389	(Seal ring
100C	3	86693488	(Glued threaded plug 3/4
100D	1	86691425	(Threaded plug
100E	1	86655354	(Oiler
100F	1	86693587	(Threaded plug
100G	2	86694734	(Threaded plug
100H	1	86466919	(Oiler protection
• 180	1	86690989	Lip seal
• 190	1	86690997	Scraper seal
200	2	86350014	Pin
210	1	86690302	Strike piston
220	1	86690641	Distribution cover
225	x	86726601	Shim
• 230	1	86694155	O'ring
• 240	1	86694163	O'ring
250	1	86690625	Distributor
260	1	86690633	Distribution box
270	1	86737129	Front guide includ. :
270A	1	86691052	(Upper chuck bushing
270B	1	86737152	(Pin including:
270C	2	86737103	*O'ring
270D	1	86694031	(Lower chuck bushing
270E	2	86737145	(Pin including:
270F	4	86737111	*O'ring
350	2	86690310	Retainer pin
360	4	86690377	Tie rod
370	4	86603917	Nut
380	4	86690385	Nut
390	4	86708583	Washer
400	1	86749488	Seal kit

Housing



Item	Qty	CPN	Description
10	1	86735867	Housing including :
10A	1	86690773	(Spacer
10B	4	86608643	(M16, socket head screw
10C	4	86468402	(Washer
10D	4	86690716	(Plastic guiding slipper
10E	3	86690724	(Plastic guiding slipper
10F	1	86690732	(Plastic guiding slipper
10G	2	86690682	(Plug
10H	1	86690757	(Stop pin including :
10I	4	86638467	- O'ring
90	1	86690666	Upper dampener
100	1	86690658	Lower dampener
110	x	86720786	Shim- upper dampener - 3 mm
	x	86720778	Shim- upper dampener - 2 mm
	x	86720794	Shim- upper dampener - 4 mm

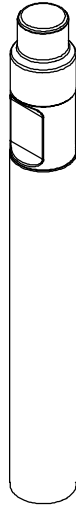
10



20



30



40

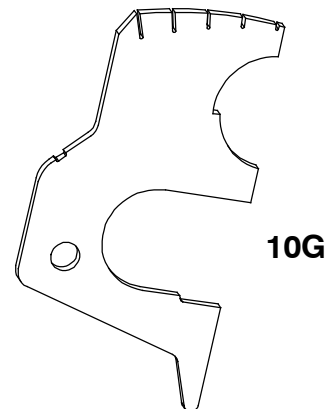
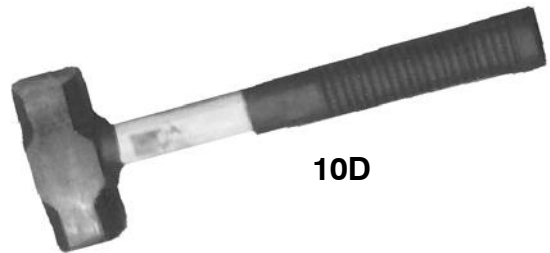
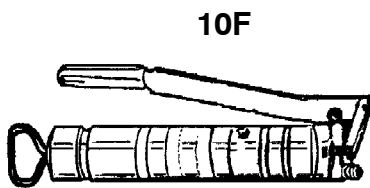
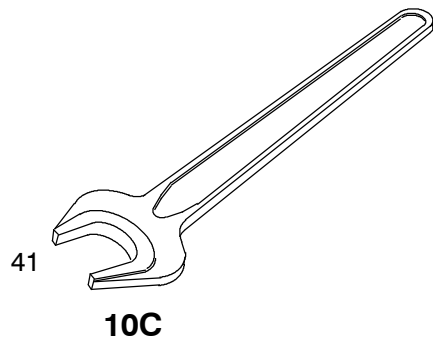
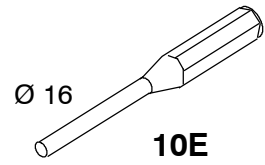
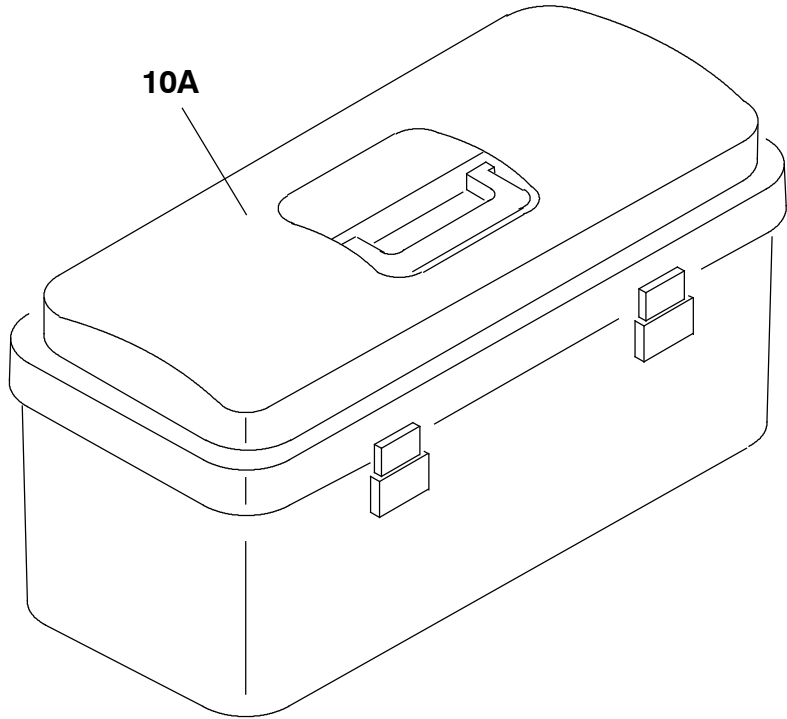


Item	Qty	CPN	Description
10	1	86691110	Moil pointChisel
20	1	86691466	Chisel
30	1	86693710	Blunt
40	1	86700986	Pyramidal point

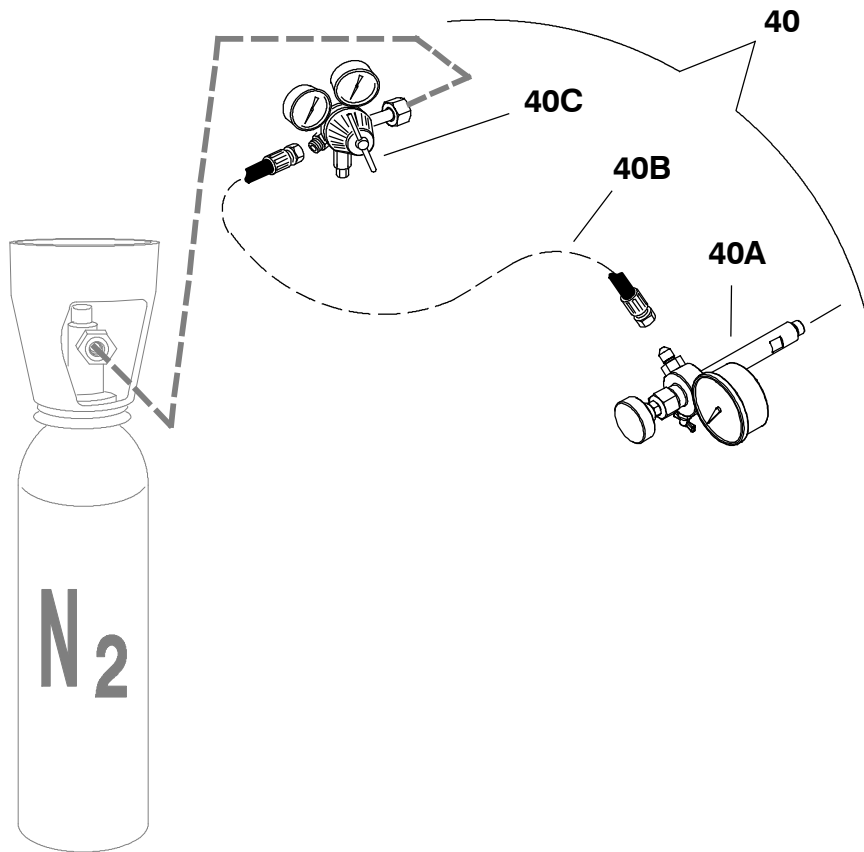
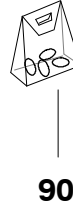
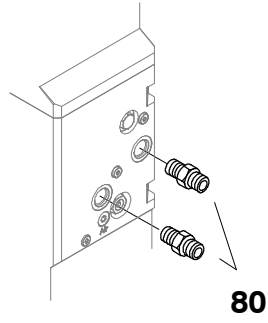
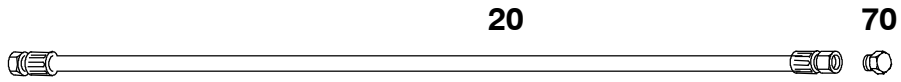


ACCESSORIES

86706165 : HAND TOOL BOX

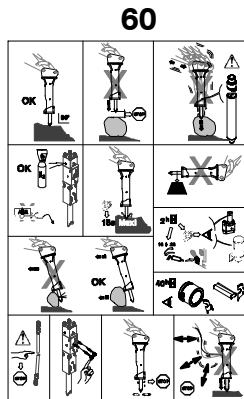
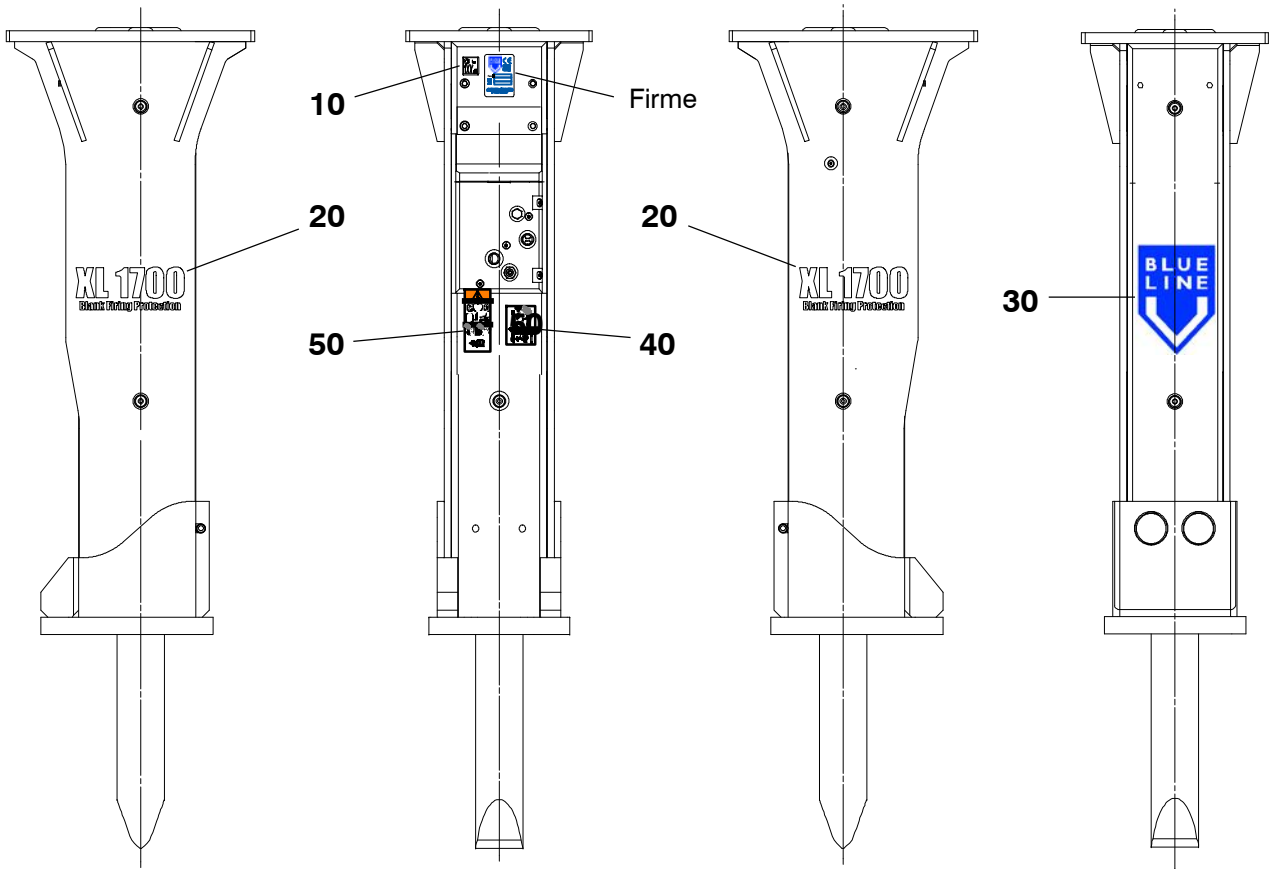


Item	Qty		Description
10	1	86706165	Hand tool box including :
10A	1	-	- Plastic tool box
10B	1	-	- Hexagonal key (3/16")
10C	1	-	- Open end wrench (41 mm)
10D	1	-	- Sledge hammer
10E	1	-	- Pin punch (Ø16)
10F	1	-	- Hand gun grease
10G	1	86697026	- Checking tool





Item	Qty	CPN	Description
20	2	86693637	Hose : 2800mm
70	2	86250644	Plug JIC m1"5/16 (for hoses
80	2	86692951	Adaptor ORFS m1"7/16 / m1"JIS (on breaker)
90	4	86222858	O'ring - ORFS 1"7/16
40	1	86696499	Inflating kit including:
40A	1	86626017	(Inflating tool kit
40B	1	86704640	(Hose : 2000mm
40C	1	86704624	(Pressure reducing; Nitrogen

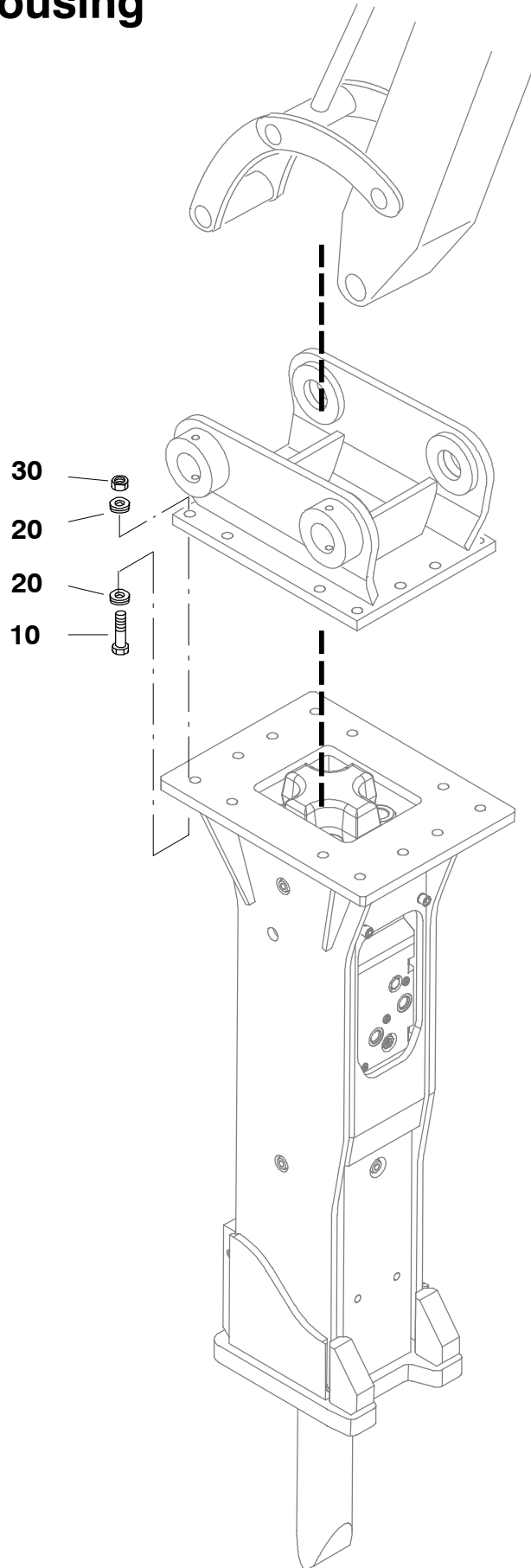


Item	Qty	CPN	Description
10	1	86602232	Noise level sticker
20	2	86697935	XL 1700 sticker
30	1	86698586	BLUE LINE sticker
40	1	86723053	Maintenance sticker
50	1	86723087	Safety sticker
60	1	86702511	Cab sticker (on excavator)



FIT UP

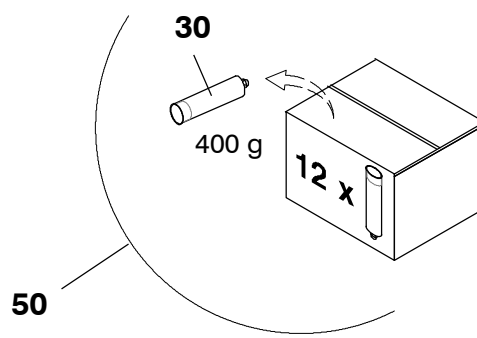
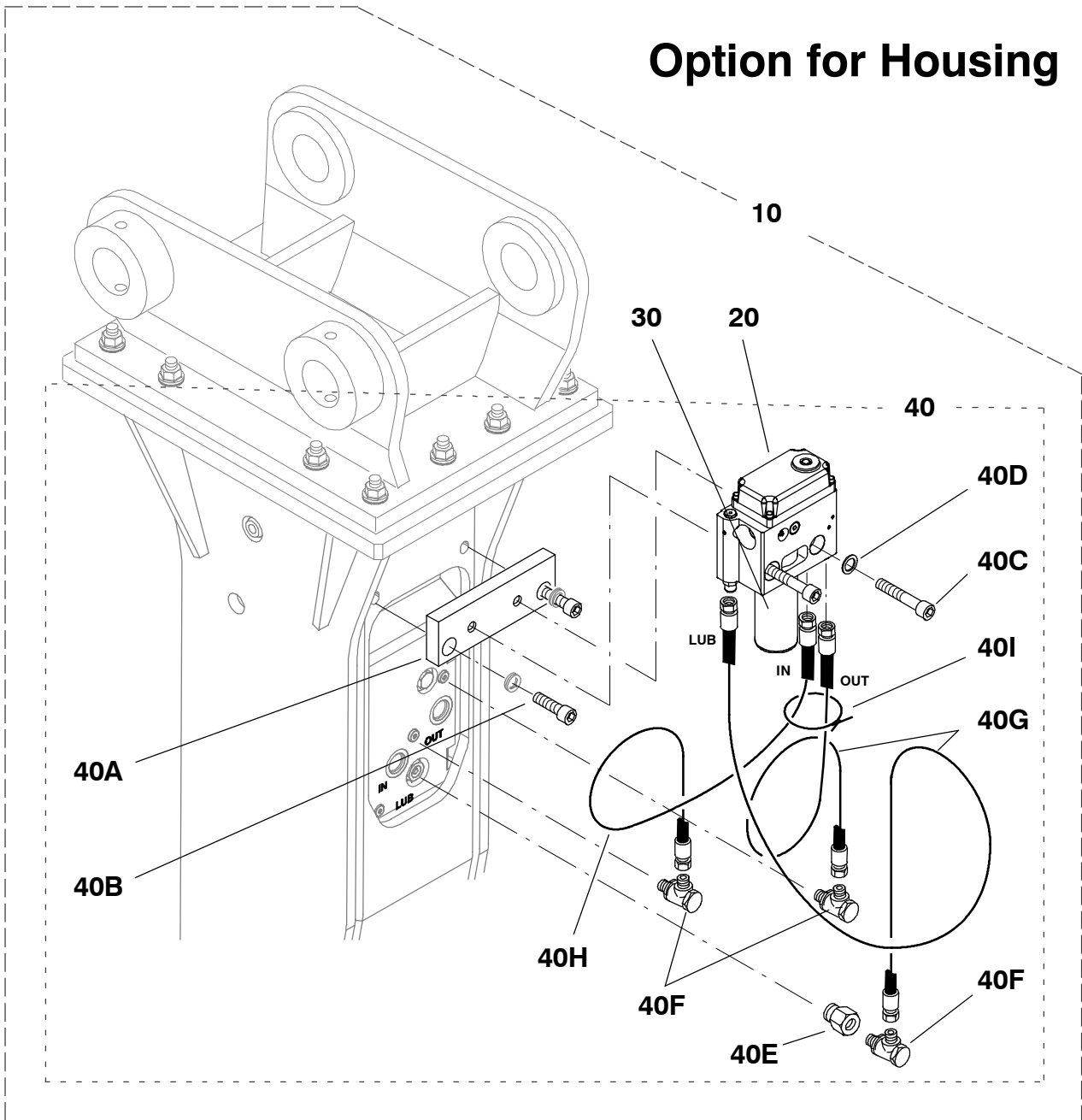
Housing





Item	Qty	CPN	Description
10	12	86704665	(Bolt UNF 1"
20	24	86634086	(Washer
30	12	86510005	(Nut UNF 1"

Option for Housing



Item	Qty	CPN	Description
10	1	86702537	Grease pump kit including :
20	1	86603313	- Lubricating pump
30	1	xxxxxxx	- Grease cartridge
40	1	86702545	- Adaptation including
40A	1	86701653	(Plate
40B	2	86486628	(M16, socket head screw
40C	2	86703287	(M16, socket head screw
40D	2	86384898	(Washer
40E	1	86702586	(Adapter
40F	3	86608528	(Adapter
40G	2	86614096	(Hose
40H	1	86608932	(Hose
40I	2	86260619	(Collar
50	1	86617222	Grease cartridge (12/ Box

BLUE LINE®

203 , route de Grenoble
CS 80097
69805 Saint- Priest Cedex
France

www.montabert.com

