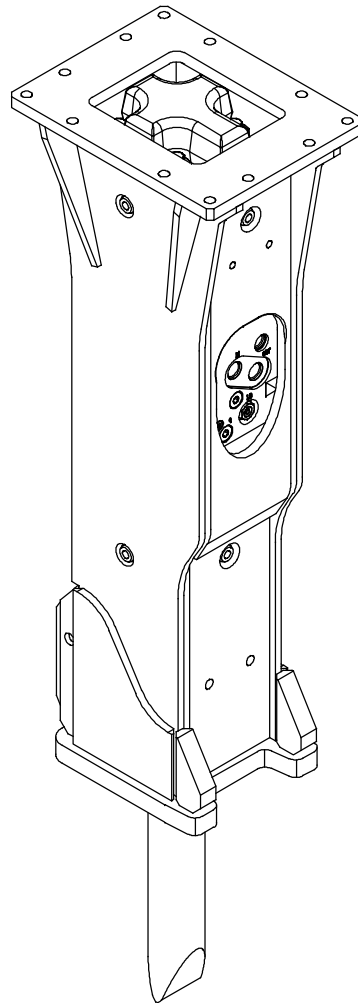


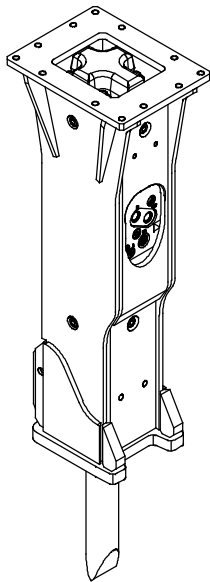
EN Spare parts manual



XL 1000

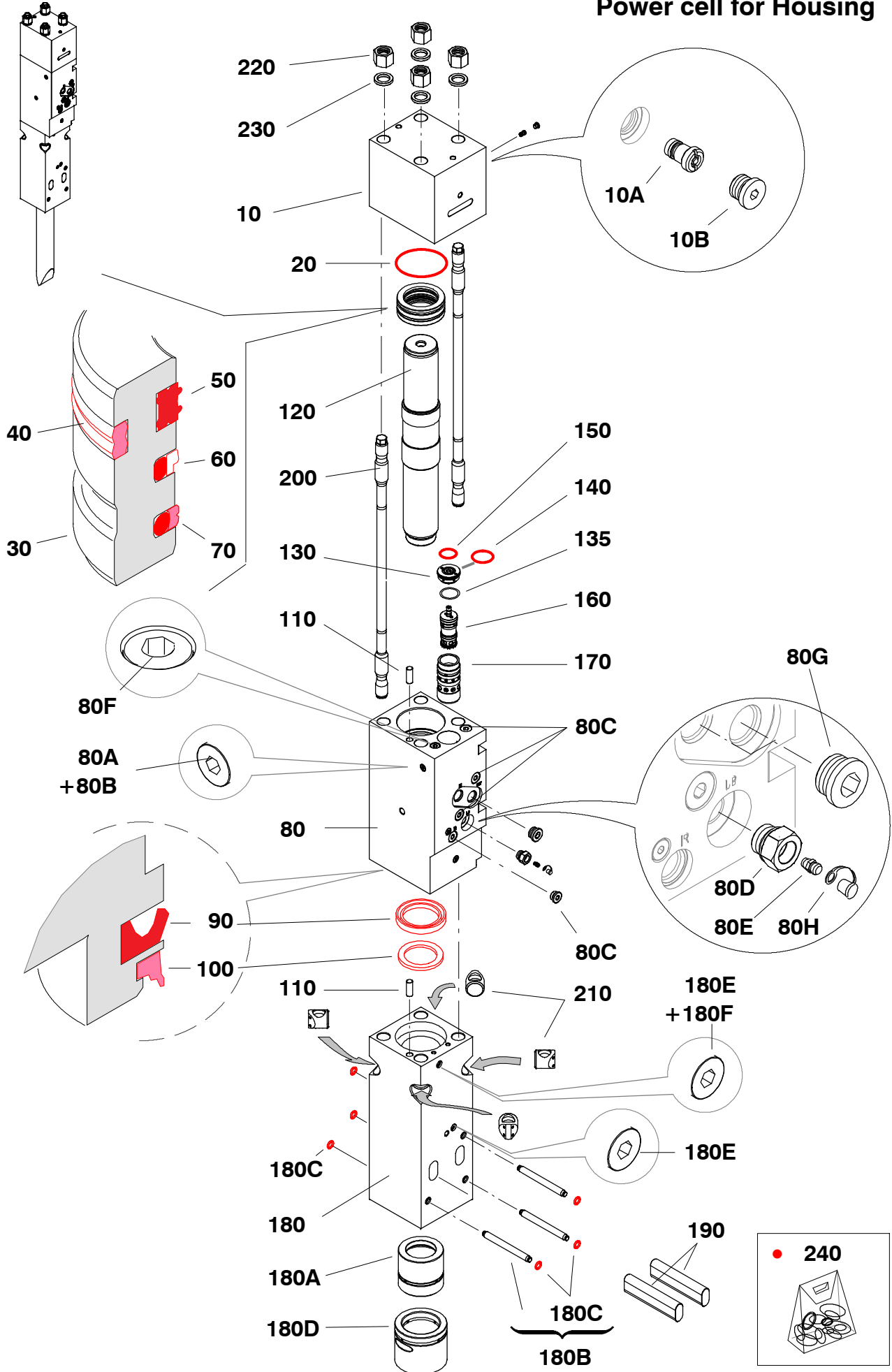


BREAKER



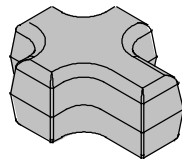
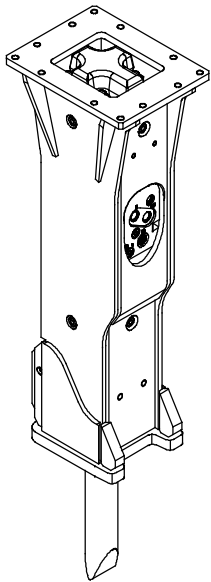
Housing

Power cell for Housing

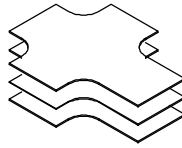


Item	Qty	CPN	Description
10	1	86722485	Back head includ. :
10A	1	86600632	(Valve
10B	1	86693538	(Threaded plug
• 20	1	86721115	O'ring
30	1	86731502	Seals casing
• 40	1	86644630	Seal
• 50	1	86721131	Seal
• 60	1	86721149	Seal
• 70	1	86721156	Seal
80	1	86722493	Cylinder includ. :
80A	8	86678612	(Glued threaded plug 1/4
80B	8	86240389	(Seal ring
80C	4	86693488	(Glued threaded plug 3/4
80D	1	86691425	(Threaded plug
80E	1	86655354	(Oiler
80F	1	86704376	(Threaded plug
80G	2	86694734	(Threaded plug
80H	1	86466919	(Oiler protection
• 90	1	86724655	Lip seal
• 100	1	86721164	Scraper seal
110	2	86350014	Pin
120	1	86719077	Strike piston
130	1	86721941	Distribution cover
135	x	86728573	Shim
• 140	1	86721172	O'ring
• 150	1	86694163	O'ring
160	1	86721958	Distributor
170	1	86719085	Distribution box
180	1	86722659	Front guide includ. :
180A	1	86722089	(Upper chuck bushing
180B	3	86724515	(Pin including :
• 180C	2	86737103	- O'ring
180D	1	86722097	(Lower chuck bushing
180E	2	86678612	(Glued threaded plug 1/4
180F	1	86240389	(Seal ring
190	2	86722121	Retainer pin
200	4	86719069	Tie rod
210	4	86732500	Nut
220	4	86719093	Nut
230	4	86722139	Washer
240	1	86725389	Seal kit

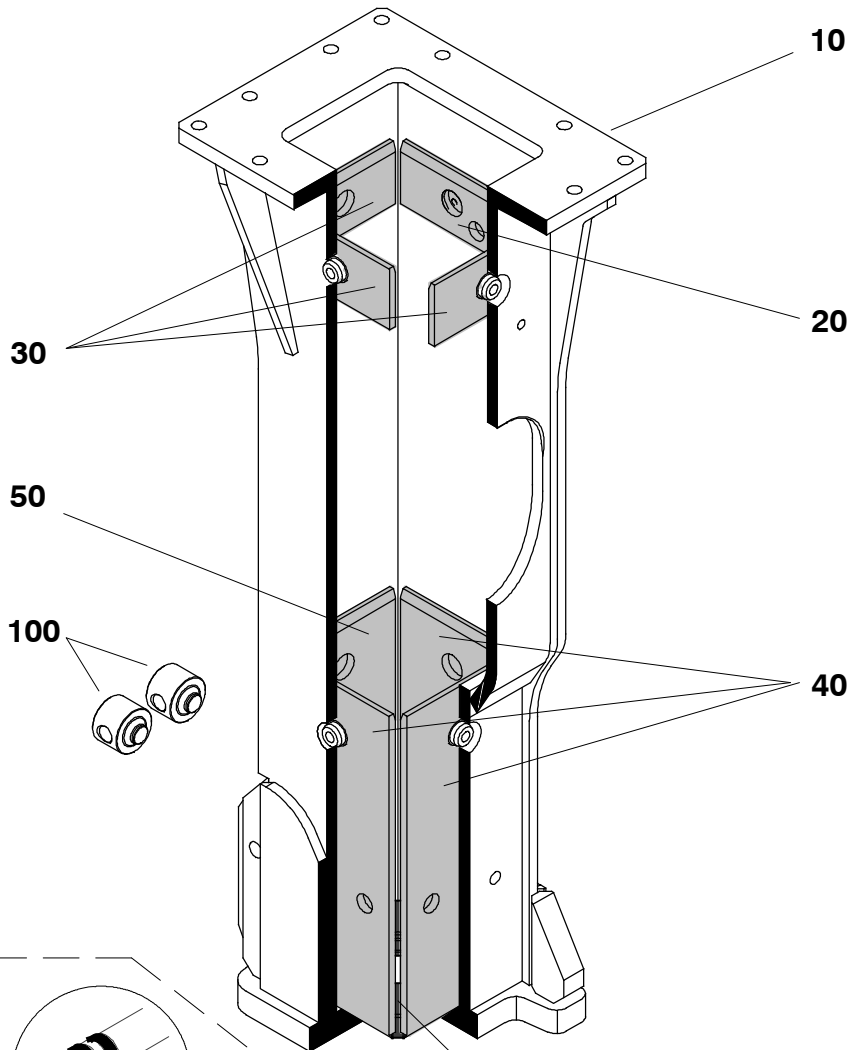
Housing



70



90



30

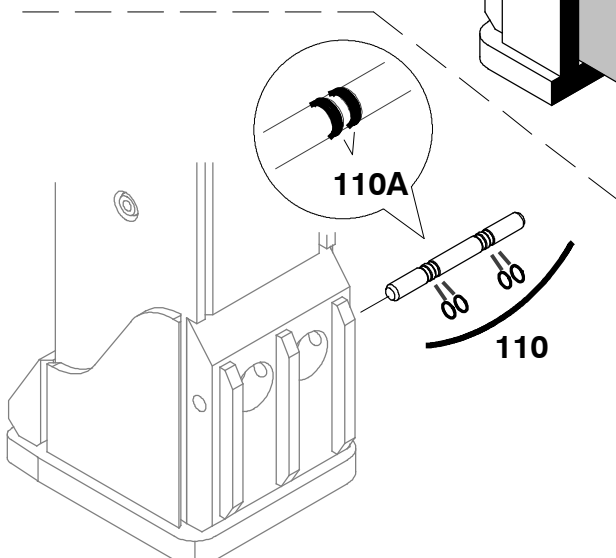
10

20

50

100

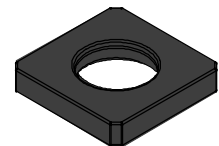
40



110A

110

80

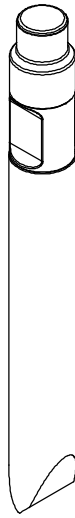


Item	Qty	CPN	Description
10	1	86741469	Housing including :
20	1	86722774	Plastic guiding slipper
30	3	86722758	Plastic guiding slipper
40	3	86722733	Plastic guiding slipper
50	1	86722741	Plastic guiding slipper
70	1	86722675	Upper dampener
80	1	86722717	Lower dampener
90	x	86722683	Shim- upper dampener - 2 mm
	x	86722691	Shim- upper dampener - 3 mm
	x	86722709	Shim- upper dampener - 4 mm
100	2	86722865	Plug
110	1	86724523	Stop pin including :
110A	4	86638467	(O'ring

10



20



30



40

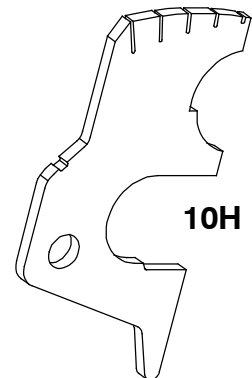
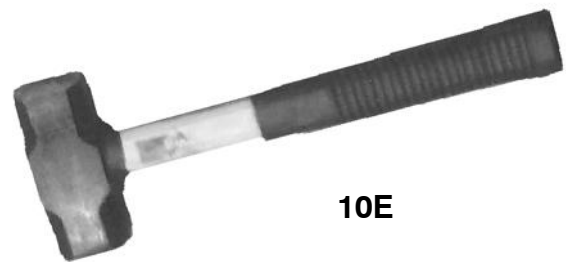
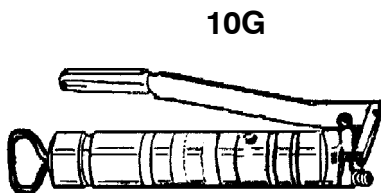
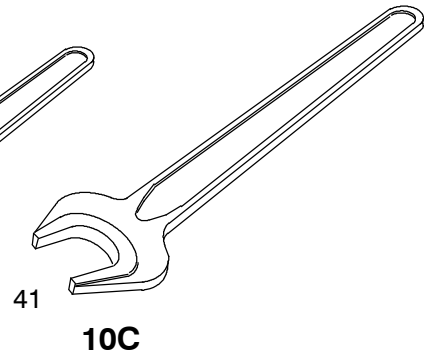
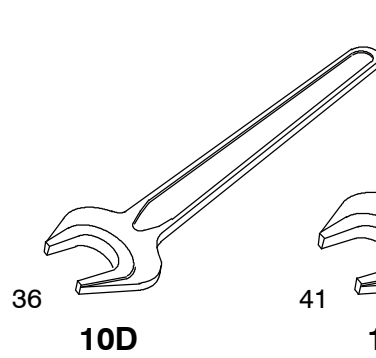
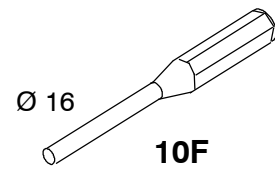
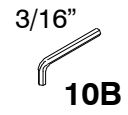
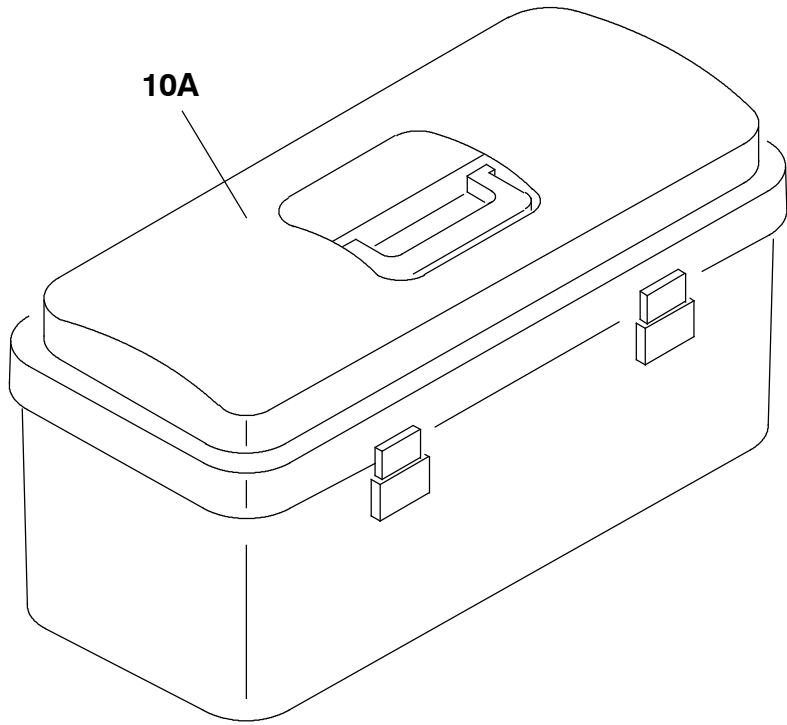


Item	Qty	CPN	Description
10	1	86722451	Moil point
20	1	86722154	Chisel
30	1	86722444	Blunt
40	1	86722469	Pyramidal point

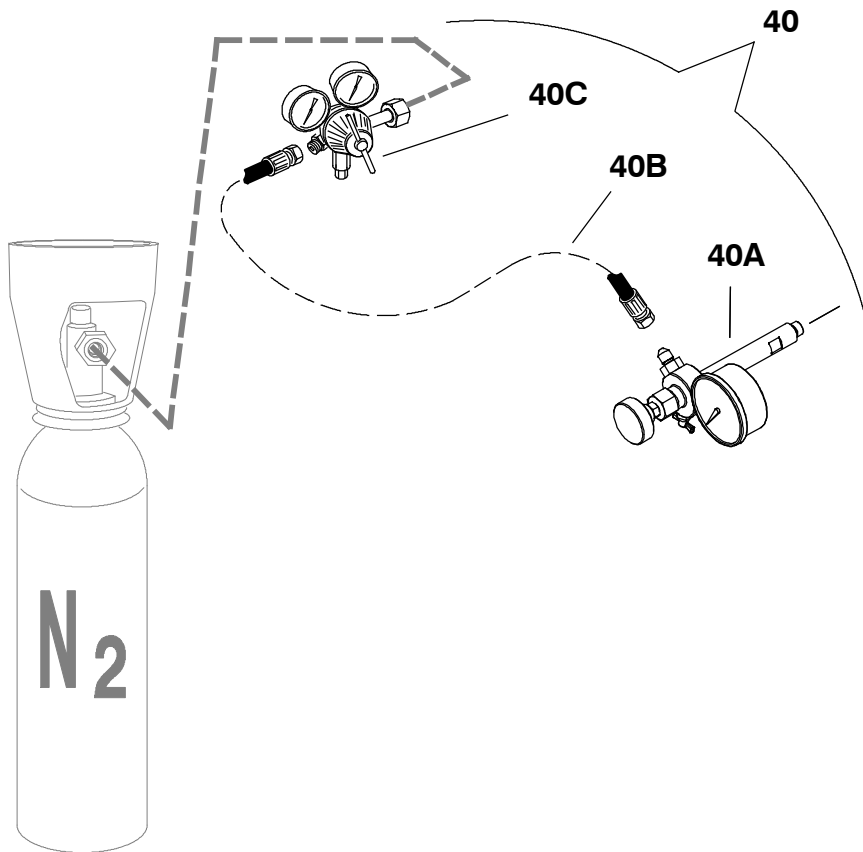
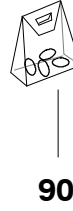
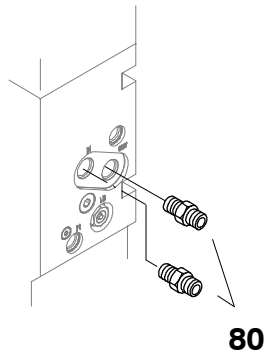
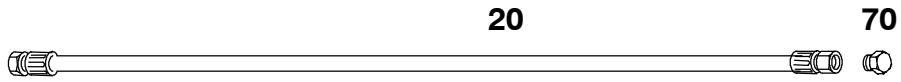


ACCESSORIES

86722568 : HAND TOOL BOX

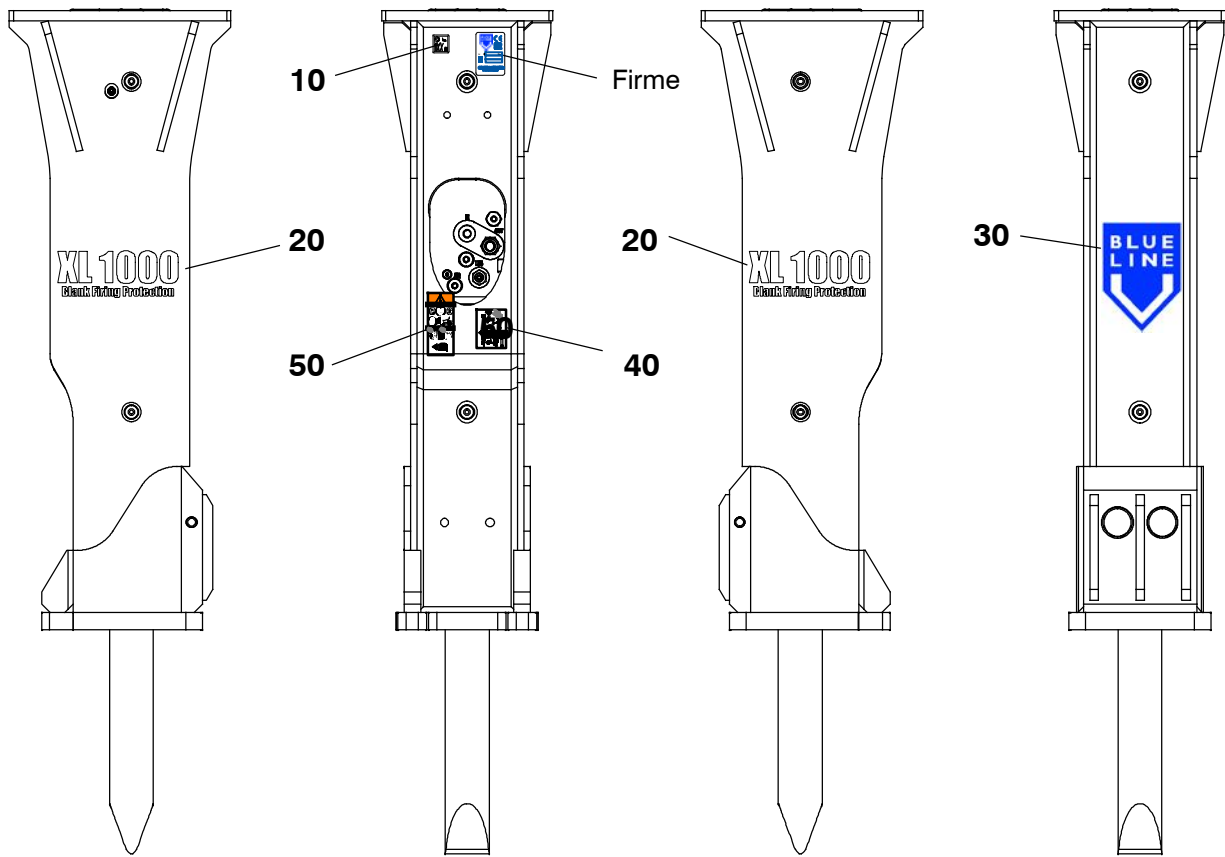


Item	Qty		Description
10	1	86722568	Hand tool box including :
10A	1	-	- Plastic tool box
10B	1	-	- Hexagonal key (3/16")
10C	1	-	- Open end wrench (41 mm)
10D	1	-	- Open end wrench (36 mm)
10E	1	-	- Sledge hammer
10F	1	-	- Pin punch (Ø16)
10G	1	-	- Hand gun grease
10H	1	86722543	- Checking tool

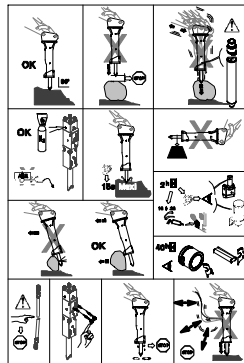




Item	Qty	CPN	Description
20	2	86660693	Hose : 2500mm
70	2	86250628	Plug JIC m1"1/16 (for hoses
80	2	86722576	Adaptor ORFS m1"3/16 / m1"JIS (on breaker)
90	4	86222791	O'ring - ORFS 1"3/16
40	1	86696499	Inflating kit including:
40A	1	86626017	(Inflating tool kit
40B	1	86704640	(Hose : 2000mm
40C	1	86704624	(Pressure reducing; Nitrogen



60

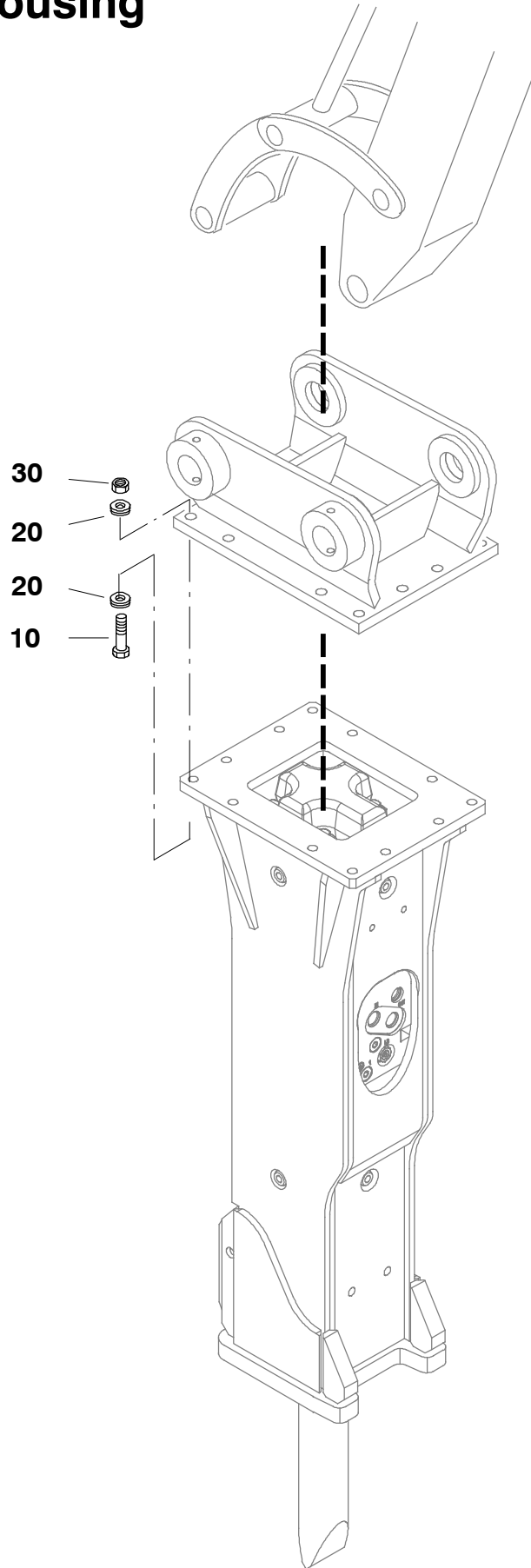


Item	Qty	CPN	Description
10	1	86602257	Adhesive label- Noise
20	2	86722600	Adhesive XL1000
30	1	86722618	Adhesive BLUE LINE
40	1	86723053	Maintenance sticker
50	1	86723087	Safety sticker
60	1	86702511	Sticker (on excavator)



FIT UP

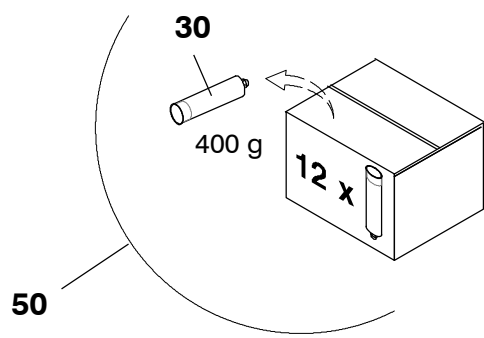
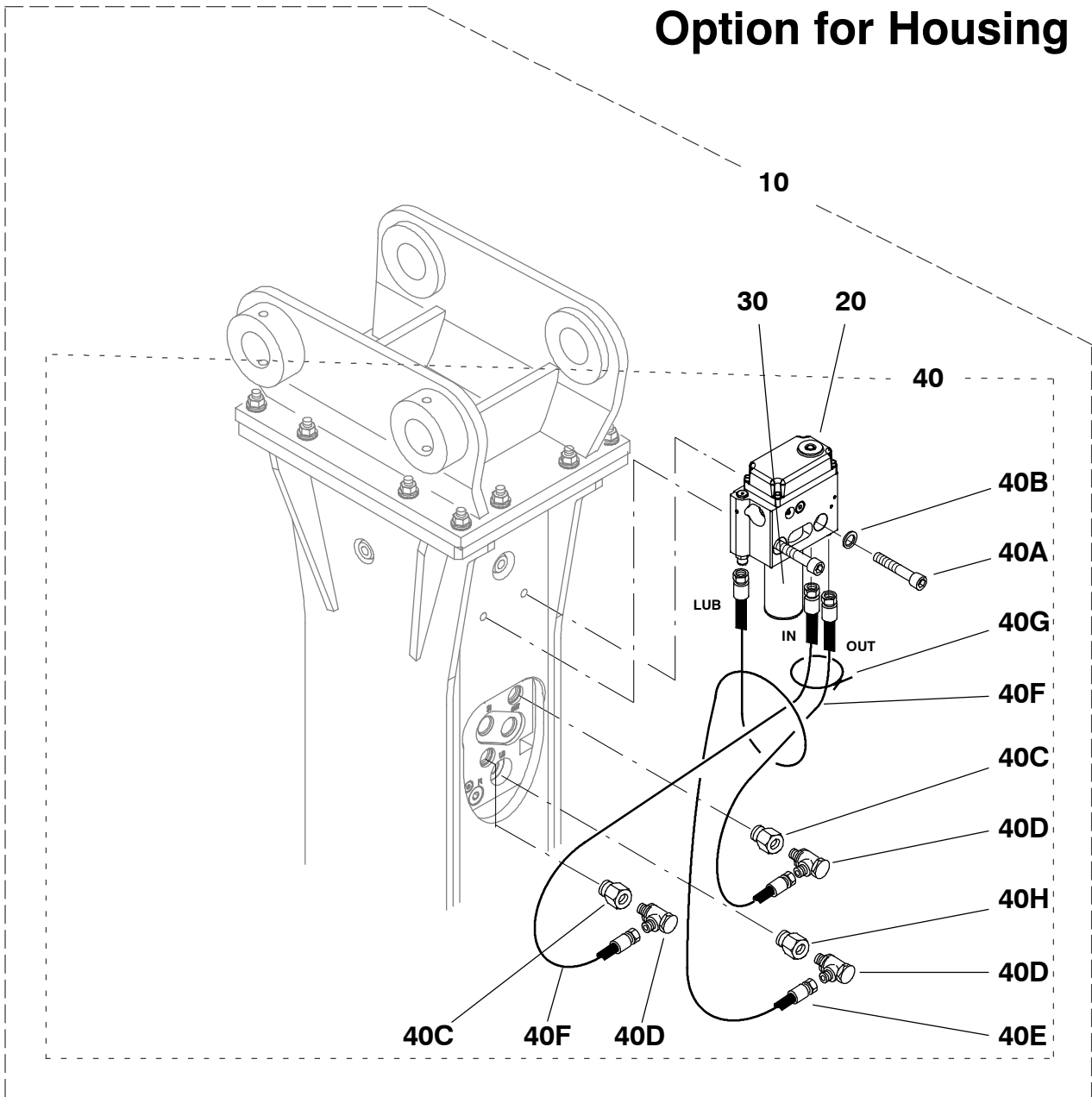
Housing





Item	Qty	CPN	Description
10	12	86576345	Bolt UNF 3/4"
20	24	86633849	Washer
30	12	86576352	Nut UNF 3/4"

Option for Housing



Item	Qty	CPN	Description
10	1	86722964	Grease pump kit including :
20	1	86603313	- Lubricating pump
30	1	xxxxxxx	- Grease cartridge
40	1	86722972	- Adaptation including
40A	2	86703287	(M16, socket head screw
40B	2	86384898	(Washer
40C	2	86722907	(Adapter
40D	3	86608528	(Adapter
40E	1	86608924	(Hose
40F	2	86608908	(Hose
40G	2	86260619	(Collar
40H	1	86702586	(Adapter
50	1	86617222	Grease cartridge (12/ Box

BLUE LINE®

203 , route de Grenoble
CS 80097
69805 Saint- Priest Cedex
France

www.montabert.com

