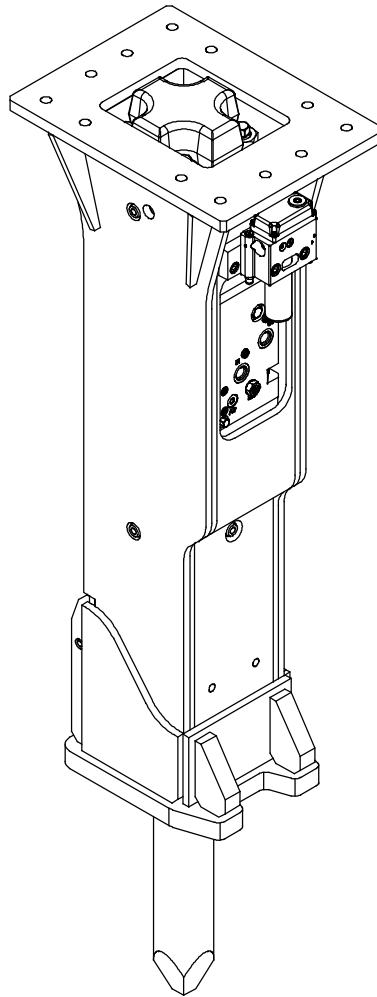


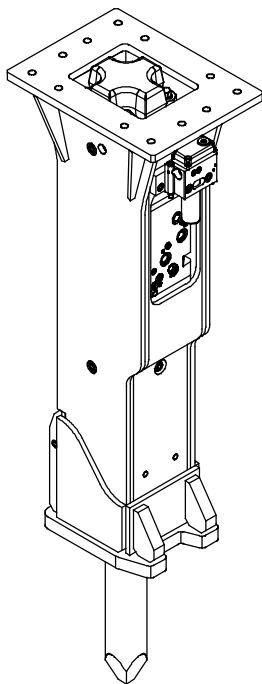
EN Spare parts manual



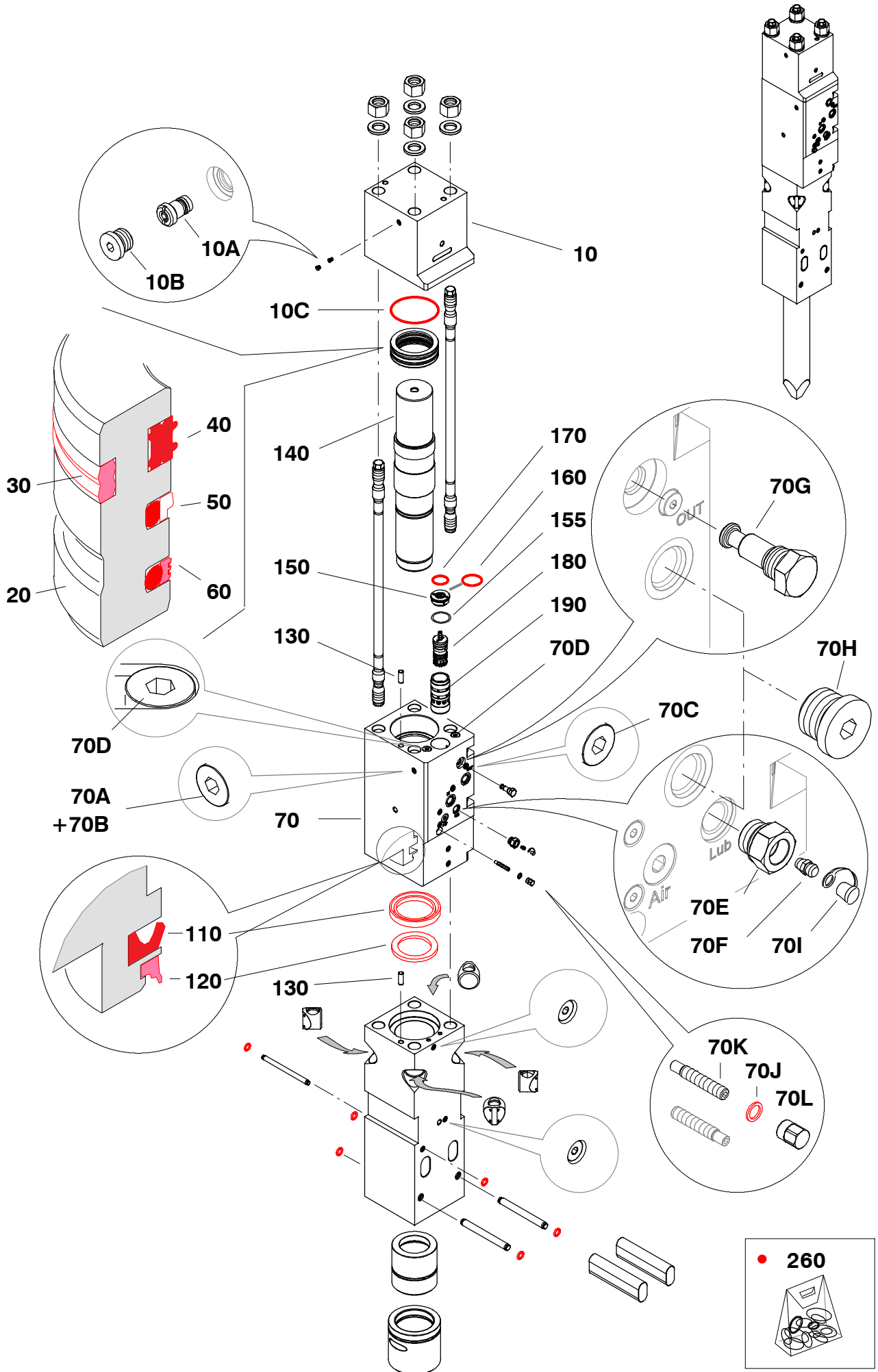
XL 1900



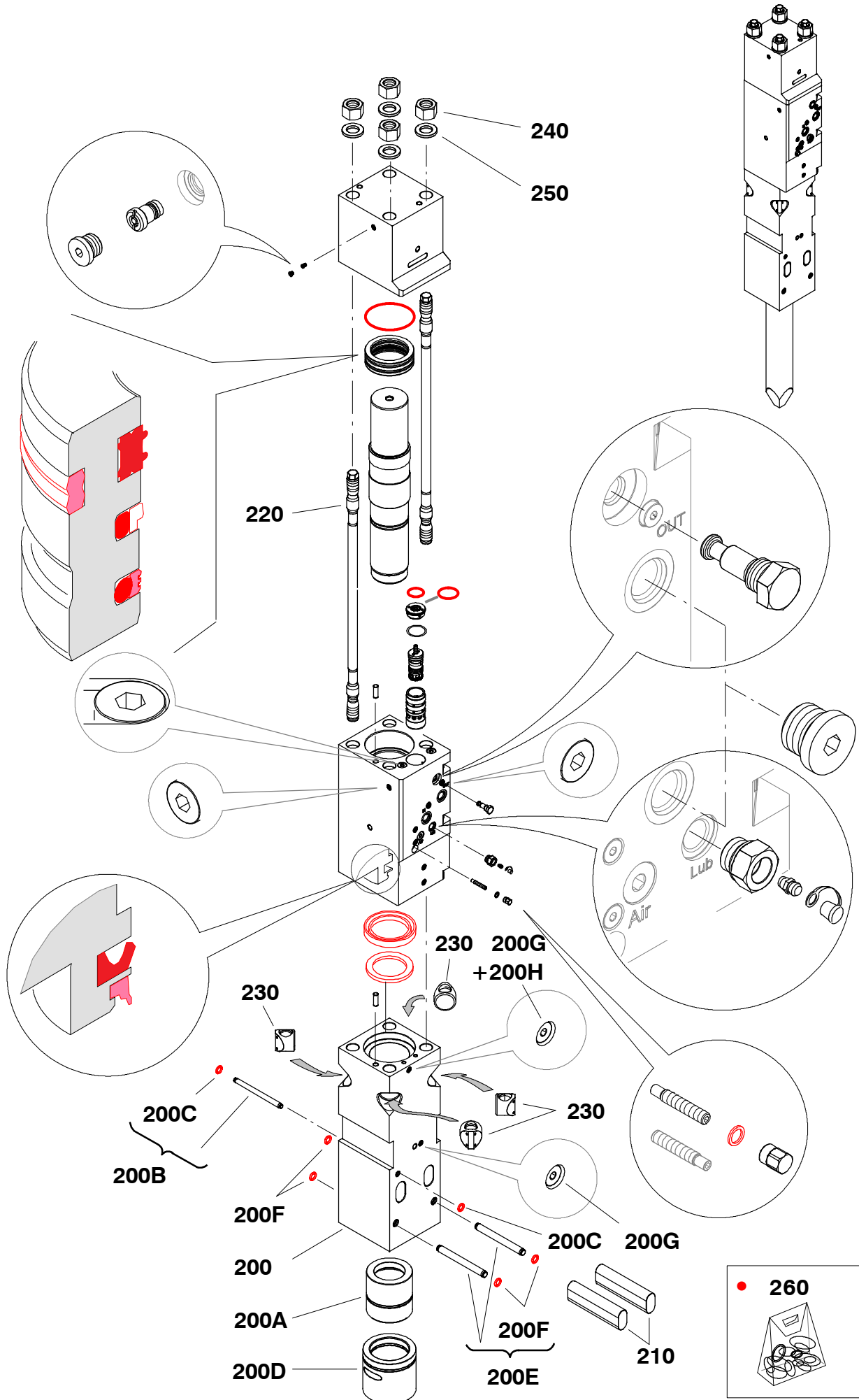
BREAKER



Housing



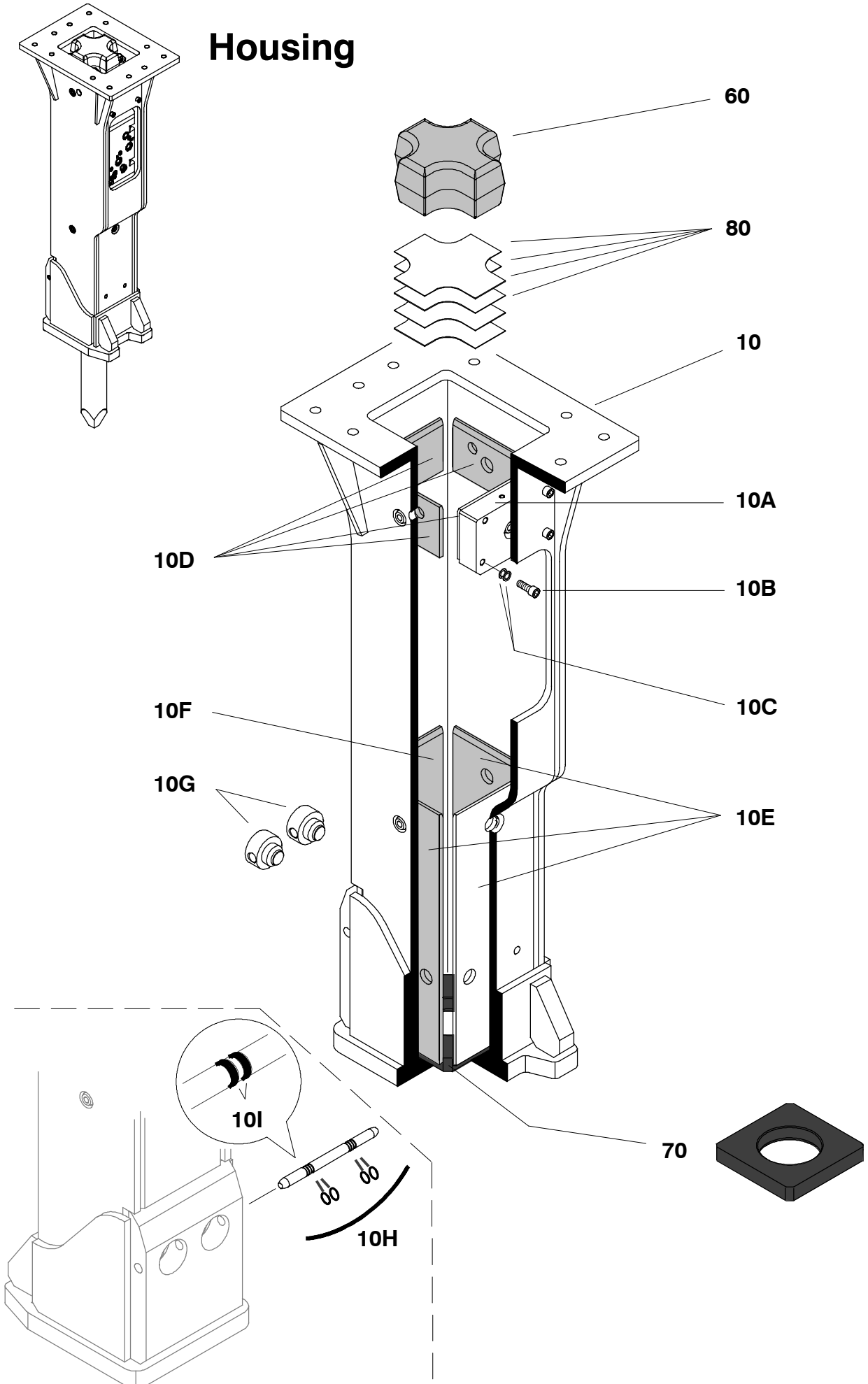
Item	Qty	CPN	Description
10	1	86712767	Back head includ. :
10A	1	86600632	(Valve
10B	1	86693538	(Threaded plug
• 10C	1	86694171	(O'ring
20	1	86714193	Seals casing
• 30	1	86706371	Seal
• 40	1	86706405	Seal
• 50	1	86706389	Seal
• 60	1	86706397	Seal
70	1	86712775	Cylinder includ. :
70A	11	86678612	(Glued threaded plug 1/4
70B	11	86240389	(Seal ring
70C	1	86704376	(Glued threaded plug 1/2
70D	3	86693488	(Glued threaded plug 3/4
70E	1	86691425	(Threaded plug
70F	1	86655354	(Oiler
70G	1	86693587	(Threaded plug
70H	2	86694734	(Threaded plug
70I	1	86466919	(Oiler protection
• 70J	1	86240389	(Seal ring
70K	1	86696952	(Special screw
70L	1	86696960	(Nut
• 110	1	86718103	Lip seal
• 120	1	86724754	Scraper seal
130	2	86715570	Pin
140	1	86714185	Strike piston
150	1	86690641	Distribution cover
155	x	86726601	Shim
• 160	1	86694155	O'ring
• 170	1	86694163	O'ring
180	1	86690625	Distributor
190	1	86690633	Distribution box





Item	Qty	CPN	Description
200	1	86712783	Front guide includ. :
200A	1	86697232	(Upper chuck bushing
200B	1	86718061	(Pin including:
• 200C	2	86737103	*O'ring
200D	1	86697240	(Lower chuck bushing
200E	2	86718053	(Pin including:
• 200F	4	86737111	*O'ring
200G	2	86678612	(Glued threaded plug 1/4
200H	1	86240389	(Seal ring
210	2	86697224	Retainer pin
220	4	86697307	Tie rod
230	4	86603917	Nut
240	4	86690385	Nut
250	4	86708583	Washer
260	1	86714748	Seal kit

Housing

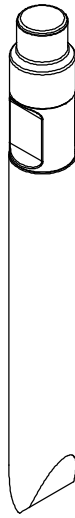


Item	Qty	CPN	Description
10	1	86738226	Housing including:
10A	1	86705878	(Spacer
10B	4	86608643	(M16, socket head screw
10C	4	86731189	(Washer "pair"
10D	4	86699089	(Plastic guiding slipper
10E	3	86699063	(Plastic guiding slipper
10F	1	86699071	(Plastic guiding slipper
10G	2	86690682	(Plug
10H	1	86715893	(Stop pin including:
10I	4	86638467	- O'ring
60	1	86699113	Upper dampener
70	1	86699121	Lower dampener
80	x	86703923	Shim- upper dampener - 3 mm
	x	86699105	Shim- upper dampener - 2 mm
	x	86703931	Shim- upper dampener - 4 mm

10



20



30



40



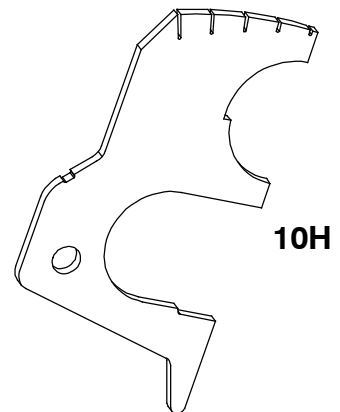
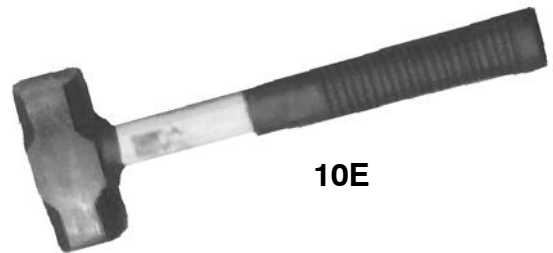
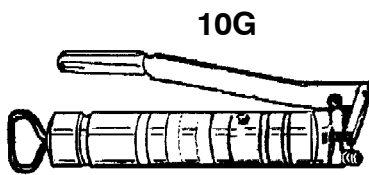
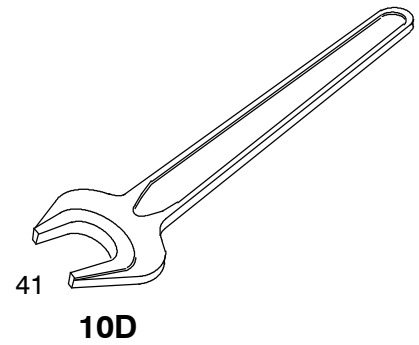
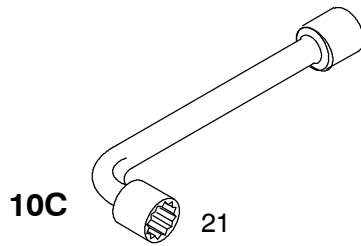
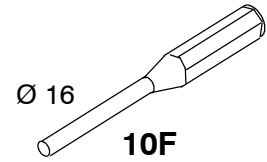
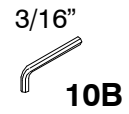
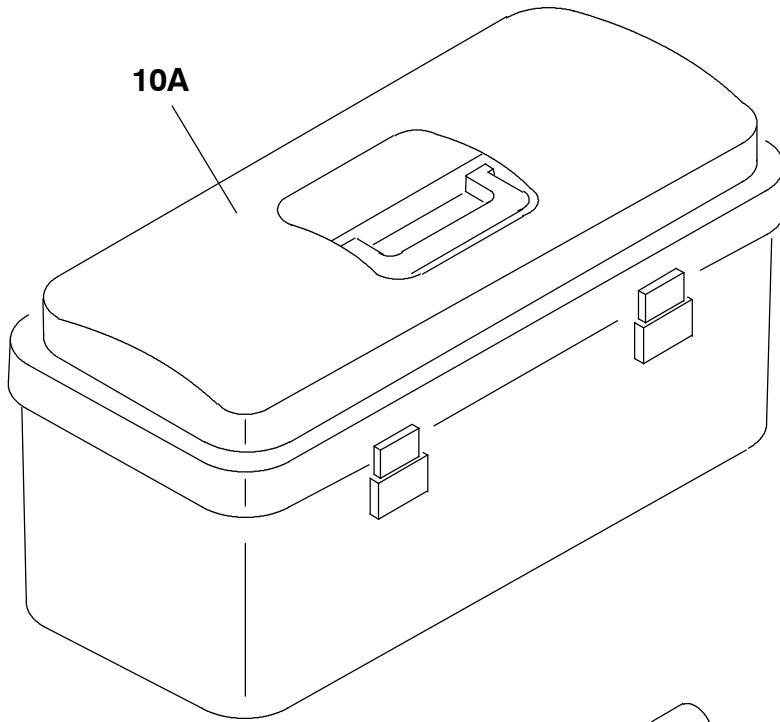
Item	Qty	CPN	Description
10	1	86697281	Moil point
20	1	86697299	Chisel
30	1	86715158	Blunt
40	1	86700903	Pyramidal point



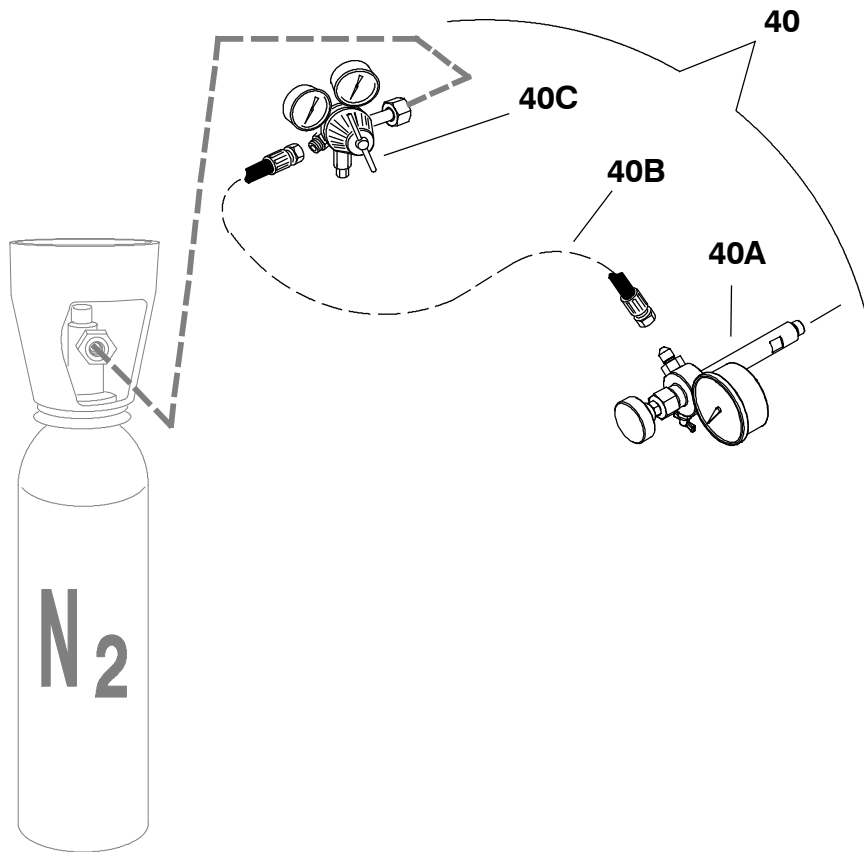
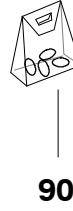
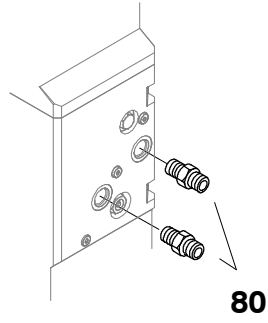
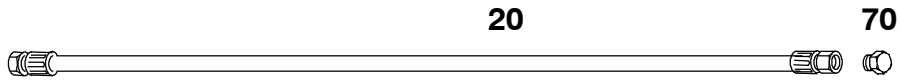
ACCESSORIES



86716586 : HAND TOOL BOX

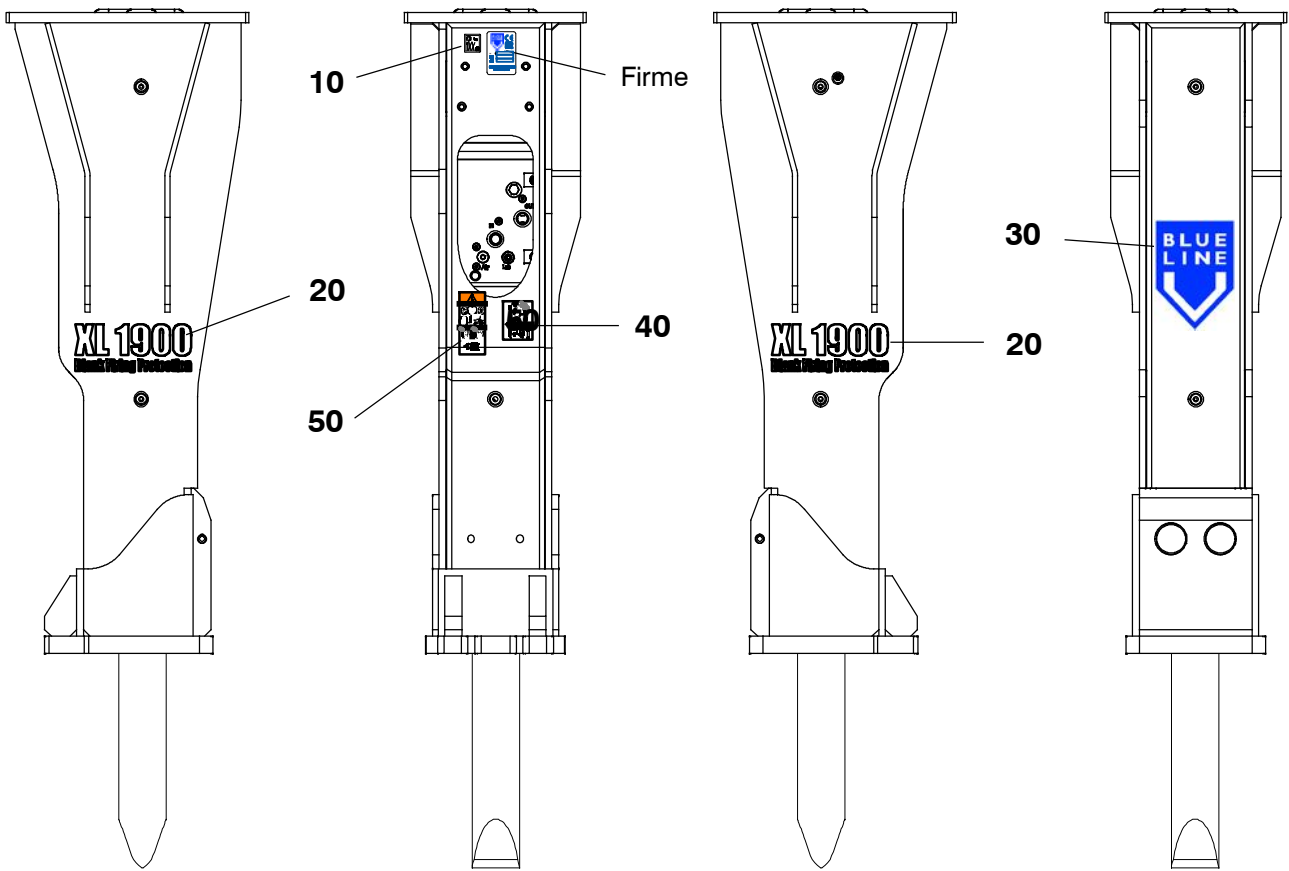


Item	Qty		Description
10	1	86716586	Hand tool box including :
10A	1	-	- Plastic tool box
10B	1	-	- Hexagonal key (3/16")
10C	1	-	- Pipe wrench (21 mm)
10D	1	-	- Open end wrench (41 mm)
10E	1	-	- Sledge hammer
10F	1	-	- Pin punch (Ø16)
10G	1	-	- Hand gun grease
10H	1	86711017	- Checking tool

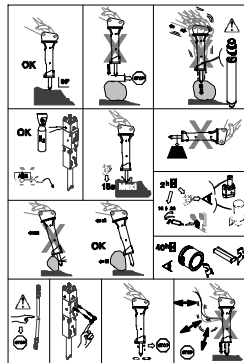




Item	Qty	CPN	Description
20	2	86693637	Hose : 2800mm
70	2	86250644	Plug JIC m1"5/16 (for hoses
80	2	86692951	Adaptor ORFS m1"7/16 / m1"JIS (on breaker)
90	4	86222858	O'ring - ORFS 1"7/16
40	1	86696499	Inflating kit including:
40A	1	86626017	(Inflating tool kit
40B	1	86704640	(Hose : 2000mm
40C	1	86704624	(Pressure reducing; Nitrogen



60

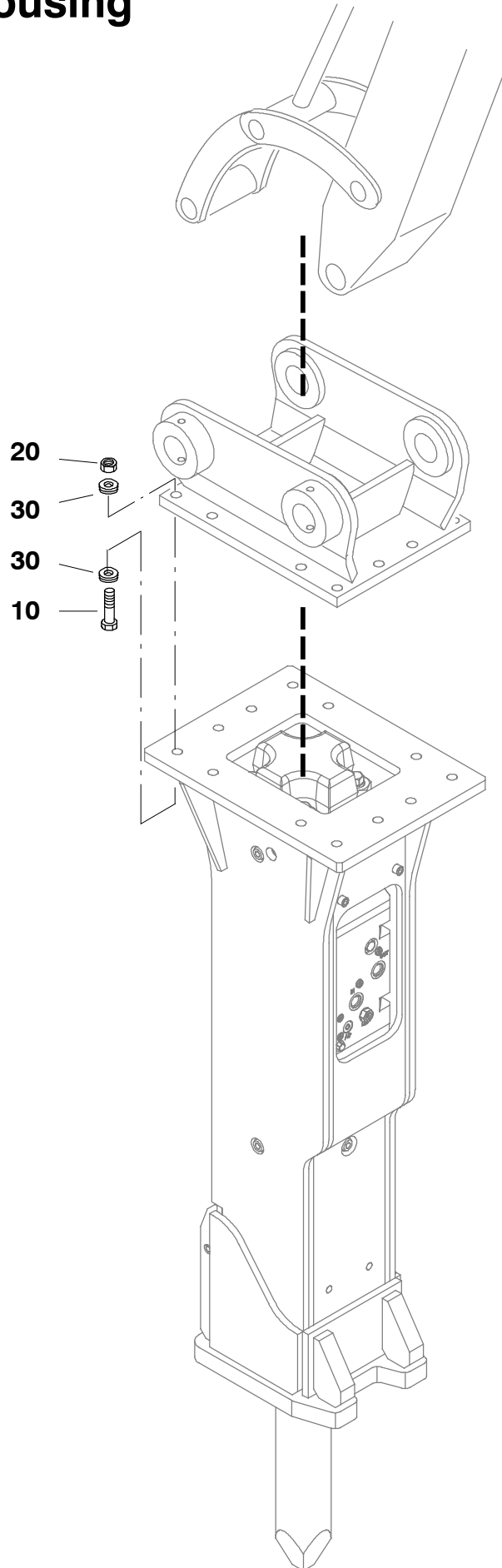


Item	Qty	CPN	Description
10	1	86602356	Noise level sticker
20	2	86718277	XL 1900sticker
30	1	86698586	BLUE LINE sticker
40	1	86723053	Maintenance sticker
50	1	86723087	Safety sticker
60	1	86702511	Cab sticker (on excavator)



FIT UP

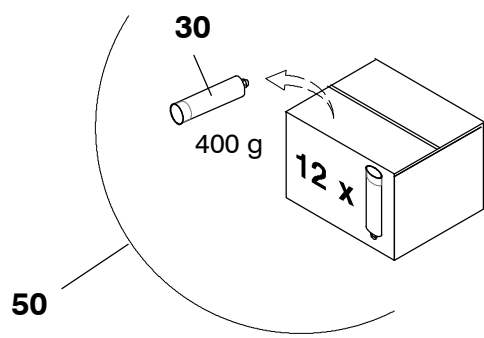
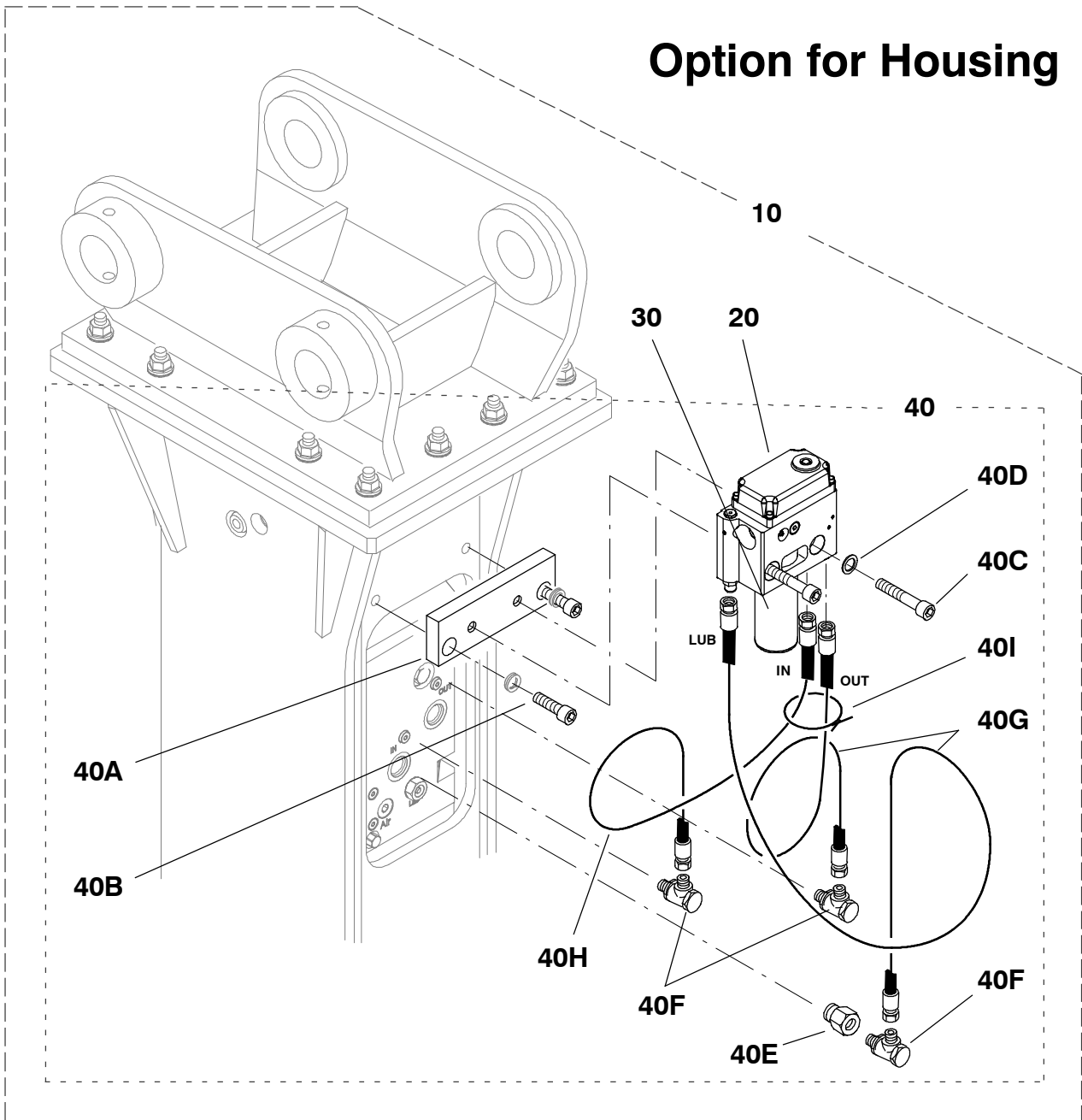
Housing





Item	Qty	CPN	Description
10	12	86704665	Bolt UNF 1"
20	12	86510005	Nut UNF 1"
30	24	86634086	Washer

Option for Housing



Item	Qty	CPN	Description
10	1	86702537	Grease pump kit including:
20	1	86603313	- Lubricating pump
30	1	xxxxxxx	- Grease cartridge
40	1	86702545	- Adaptation including
40A	1	86701653	(Plate
40B	2	86486628	(M16, socket head screw
40C	2	86703287	(M16, socket head screw
40D	2	86384898	(Washer
40E	1	86702586	(Adapter
40F	3	86608528	(Adapter
40G	2	86614096	(Hose
40H	1	86608932	(Hose
40I	2	86260619	(Collar
50	1	86617222	Grease cartridge (12/ Box

BLUE LINE®

203 , route de Grenoble
CS 80097
69805 Saint- Priest Cedex
France

www.montabert.com

